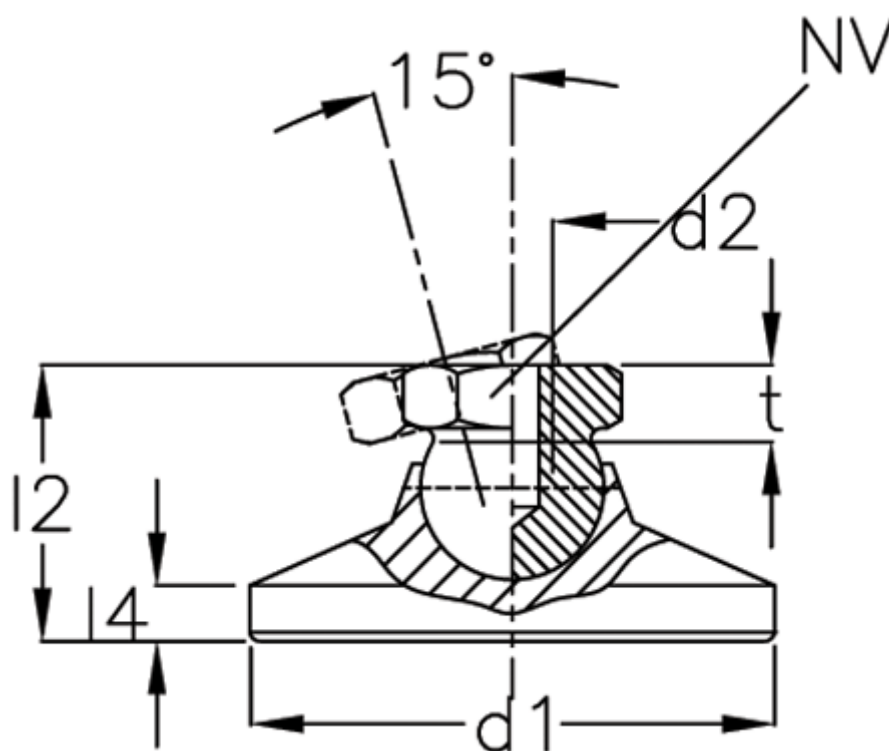


Article number: 20343132M8OS
Description: E+G levelling foot
GN 343.1-32-M8-OS

Measures



d_1	= 32
d_2	= 8
l_2	= 23
l_4	= 5
NV	= 12
Static load (kN)	= 14
t min	= 9